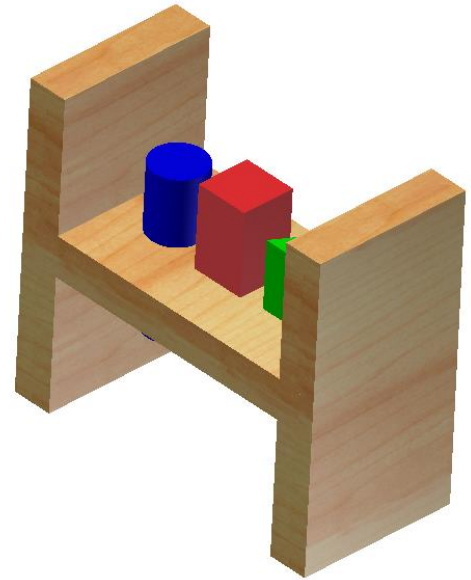
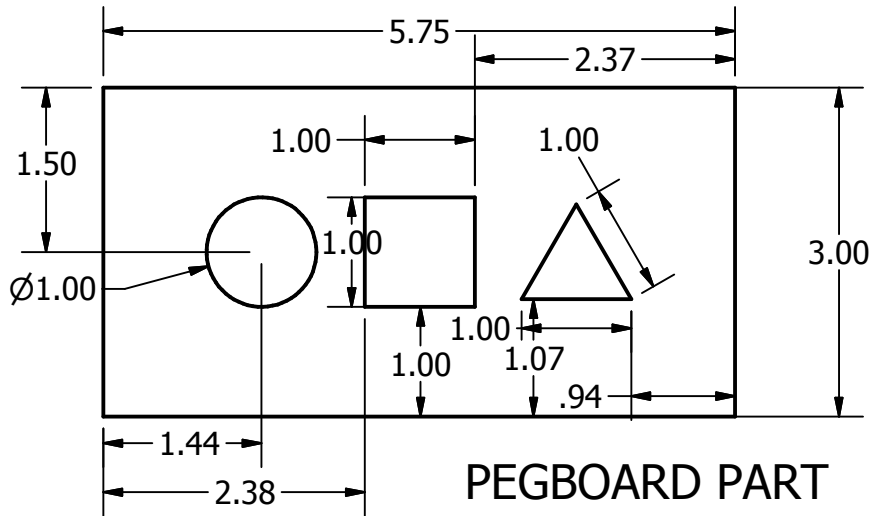


## Preparing an Engineering Drawing for the Pegboard Toy

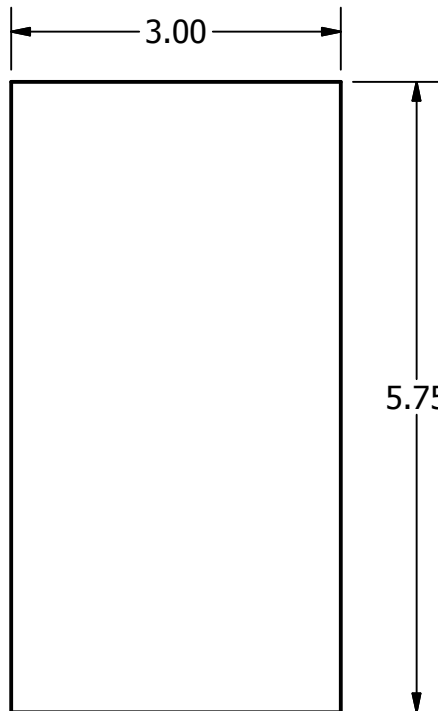
- Please refer to the drawing on the next page as a guide on how to prepare your final drawing of the Pegboard Toy. For this assignment it is OK if your measurements might be off by a *little* bit.
- Include all the dimensions in the sample and be sure they are all viewable (not on top of each other or over other lines).
- The Mallet is a separate drawing and assignment.
- When you have printed the Pegboard Toy and Mallet drawings you may move on to the next head-scratcher: The Cage Ball!



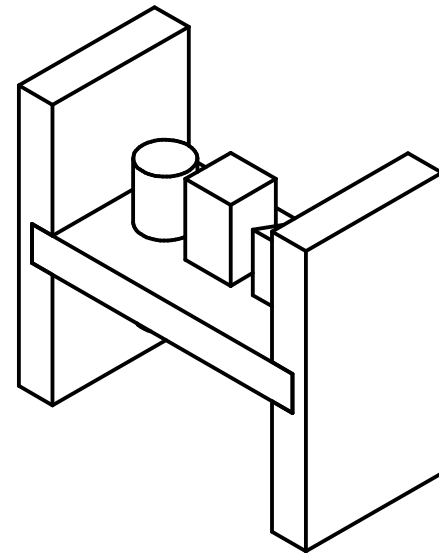
DRAWN tshrilla	3/30/2015	Fred Flintstone GTT - Period 6		
CHECKED				
QA		TITLE <b>PEGBOARD TOY</b>		
MFG				
APPROVED				
		SIZE A	DWG NO Pegboard Toy 03-30-2015	REV
		SCALE		SHEET 1 OF 1



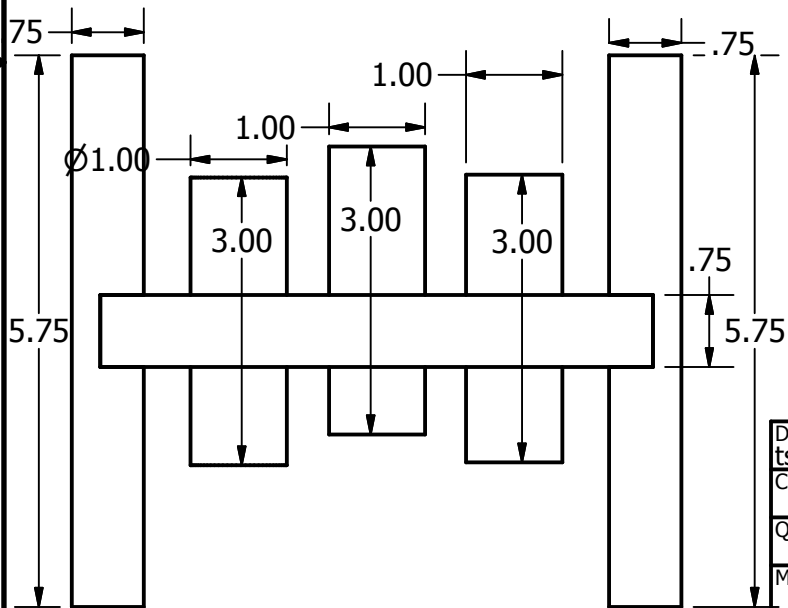
PEGBOARD PART  
SCALE 1 : 1.75



SIDE  
SCALE 1 : 1.75



ISOMETRIC  
SCALE 1 / 3



FRONT  
SCALE 1 / 2

(.125 in. Bold Text, Upper & Lower Case)

(.240 in. Bold Text, All Caps)

DRAWN	tshrilla	3/30/2015
CHECKED		
QA		
MFG		
APPROVED		

Fred Flintstone GTT - Period 6		
TITLE <b>PEGBOARD TOY</b>		
SIZE A	DWG NO Pegboard Toy 03-30-2015	REV
SCALE	SHEET 1 OF 1	