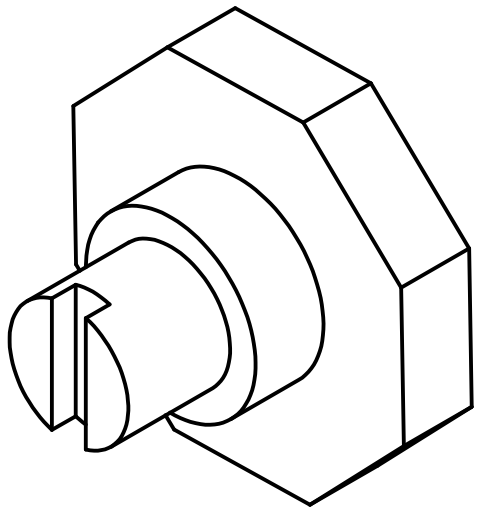
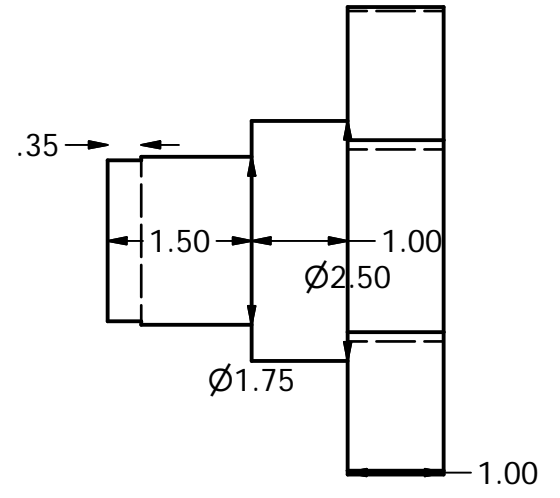


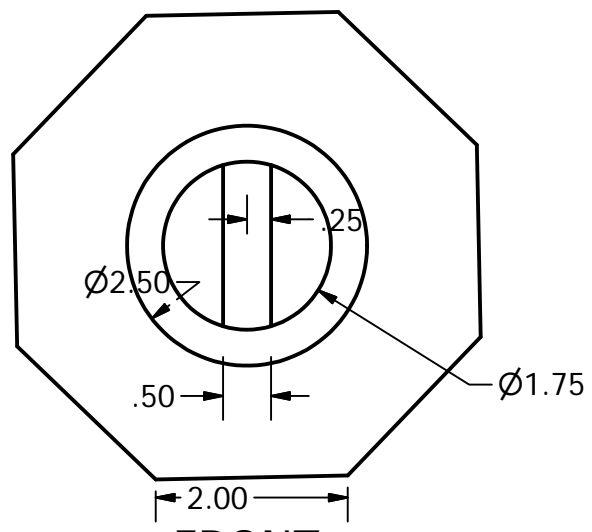
TOP
SCALE 1 / 2



ISOMETRIC
SCALE 1 / 2



RIGHT
SCALE 1 / 2



FRONT
SCALE 1 / 2

DRAWN Tom	3/11/2015	Nicki Minaj Period 9		
CHECKED				
QA		TITLE		
MFG		SHAPE 2		
APPROVED				
		SIZE A	DWG NO Shape 2	REV
		SCALE	SHEET 1 OF 1	