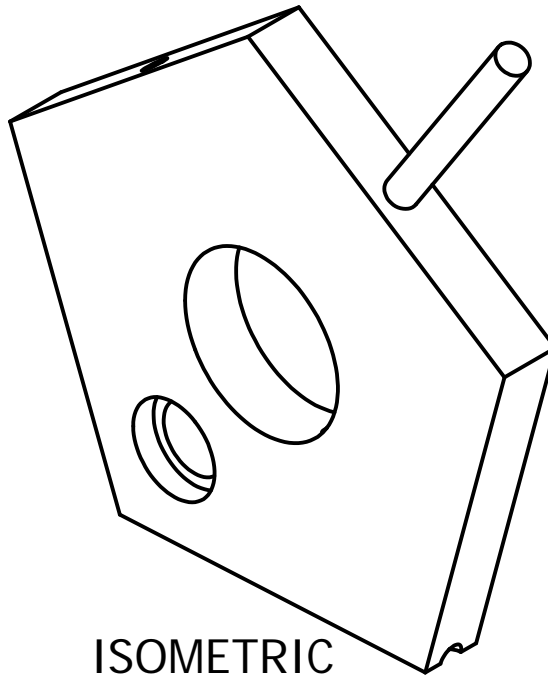
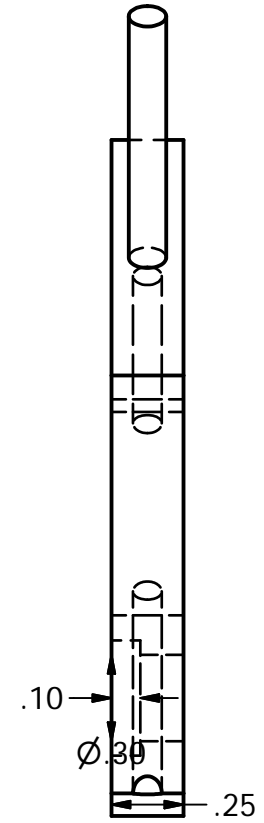


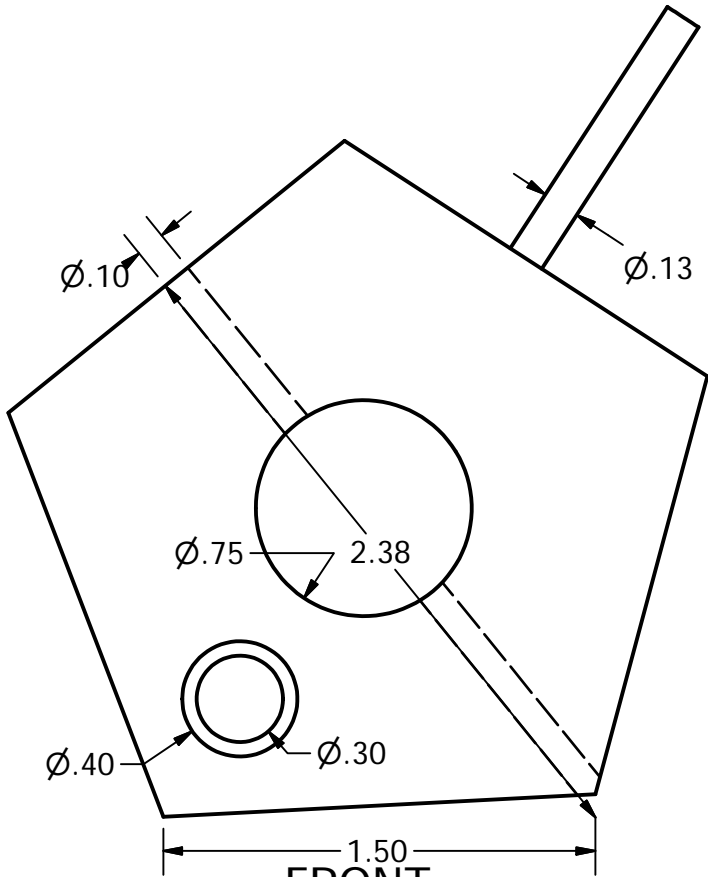
TOP  
SCALE 1.5 : 1



ISOMETRIC  
SCALE 1.5 : 1



SIDE  
SCALE 1.5 : 1



FRONT  
SCALE 1.5 : 1

DRAWN Tom	3/16/2015	Fred Flintstone GTT Period 7	
CHECKED			
QA		TITLE <b>SHAPE 3</b>	
MFG			
APPROVED		SIZE A	DWG NO Shape 3
		SCALE	REV
			SHEET 1 OF 1