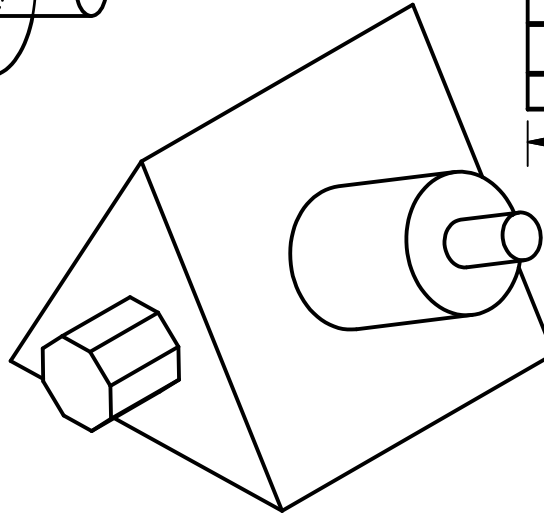
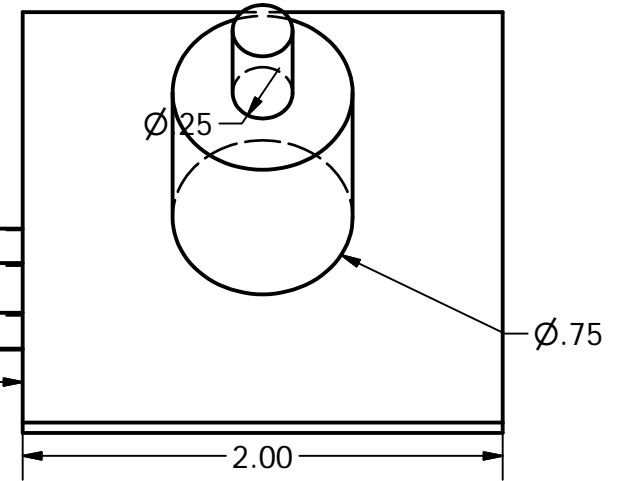


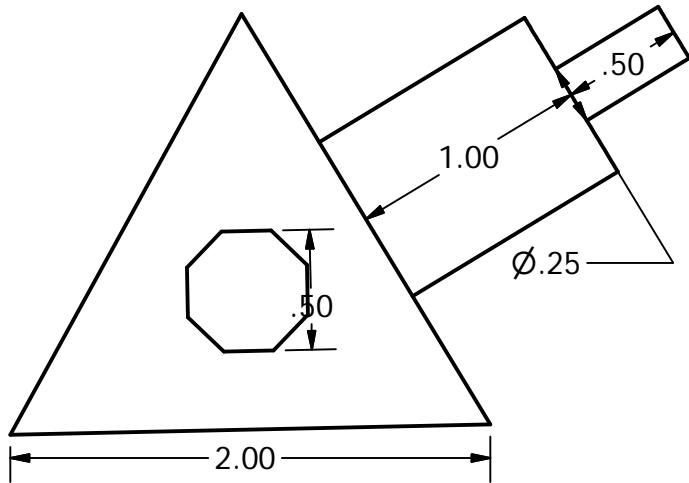
TOP  
SCALE 1.25: 1



ISOMETRIC  
SCALE 1:1



RIGHT SIDE  
SCALE 1.25: 1



FRONT  
SCALE 1.25: 1

DRAWN Tom	3/16/2015	TITLE	
CHECKED			
QA		<p><b>SHAPE 4</b></p>	
MFG			
APPROVED		SIZE A	DWG NO Shape 4
		SCALE	REV

Yogi Bear  
GTT Period 1

**SHAPE 4**